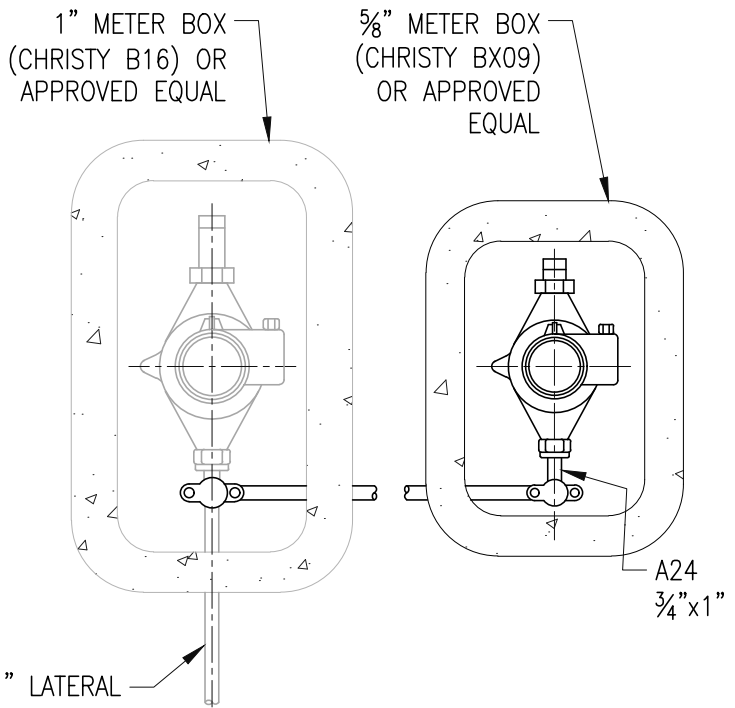
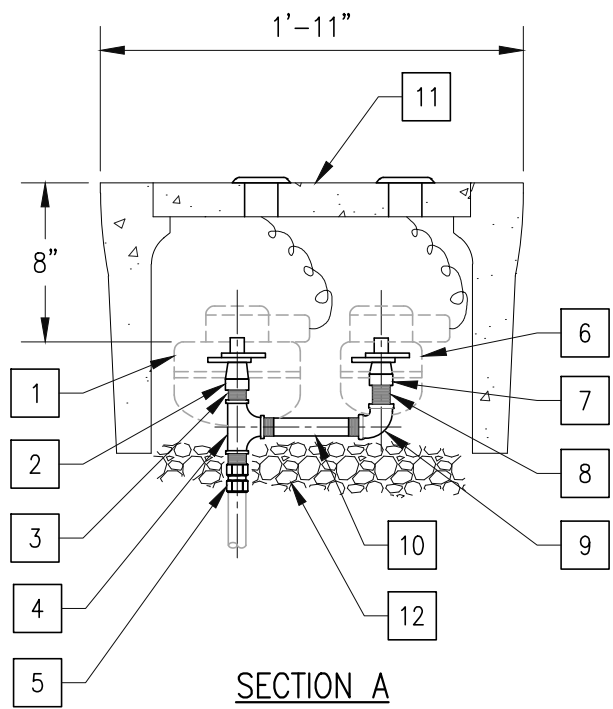


**OPTION 1: SINGLE BOX**



**OPTION 2: SEPARATE BOXES**



**SECTION A**

ITEM	PARTS LIST
1	(E) 1" METER
2	1" ANGLE METER STOP, KV2, SPIN-ON
3	1"x2" NIPPLE (BRASS)
4	1" TEE (BRASS)
5	1" COUPLING (BRASS), MIPxCOMP
6	5/8" METER
7	1" ANGLE METER STOP, KV2, SPIN-ON
8	1"x3" NIPPLE (BRASS)
9	1" 90° ELBOW (BRASS)
10	1"x6" NIPPLE (BRASS)
11	CONCRETE LID WITH NEPTUNE OFFSET PROBE
12	4" OF 3/4" DRAIN ROCK

**NOTE:**  
 AT CUSTOMER'S OPTION AND EXPENSE, SEPARATE LATERAL MAY BE INSTALLED PER STD NO 16A. REQUIRES SEPARATE METER BOX PER OPTION 2.



**DUAL WATER SERVICE  
 1" AND 5/8" WATER METERS  
 ACCESSORY DWELLING UNIT**

APPROVED	DATE	REV	STD NO
<i>[Signature]</i>	09/05/19	1	16B