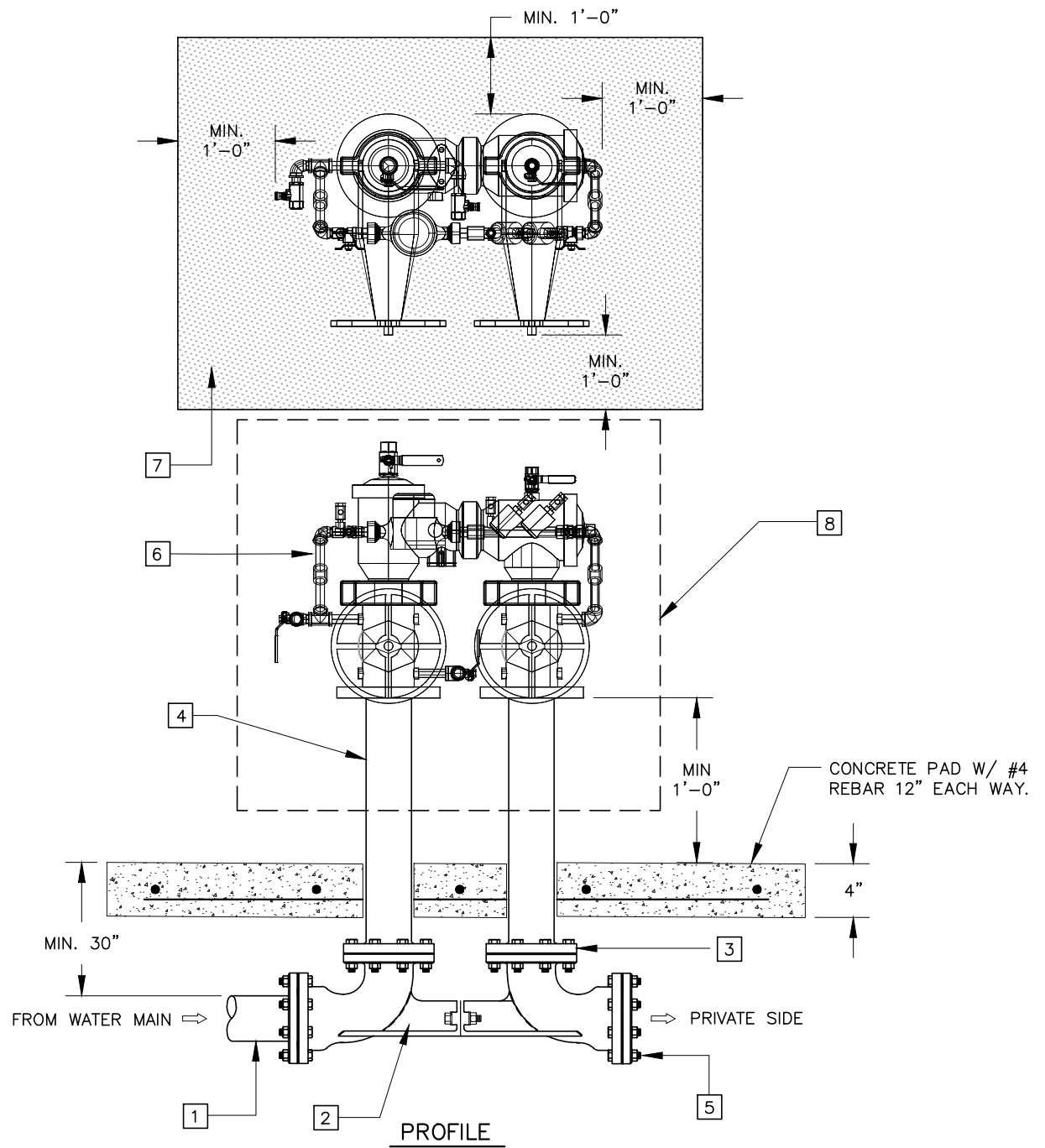



Apr 15, 2020 - 2:38pm W:\JOB\MISC\STD\Reformat STD with Logo\17B.dwg User: SDOVE



PARTS LIST:		SIZE OF FIRE SERVICE				
		2-1/2"	3"	4"	6"	8"
1	TRANSITION COUPLING/ FLANGED COUPLING ADAPTER	USE LATERAL SIZE				
2	SETTER	APOLLO OR WILKINS				
3	SLIP ON WELD FLANGE	USE LATERAL SIZE				
4	STEEL PIPE, LENGTH VARIES					
5	BLIND FLANGE					
6	DCDAs WITH OS&Y WHEEL OPERATOR GATE VALVES	APOLLO 4ANLF	APOLLO 4ANLF	WILKINS 450STDA	WILKINS 450STDA	WILKINS 450STDA
7	CONCRETE PAD					
8	LOCKABLE FREEZE BAG					

- NOTE:**
- 1) TAMPER SWITCHES REQUIRED FOR ABOVE GROUND DCDA.
  - 2) ALL DCDAs SHALL INCLUDE TYPE 1 BYPASS (CU FT).



**NORTH MARIN  
WATER DISTRICT**

ABOVE GRADE FIRE SERVICE  
DOUBLE CHECK DETECTOR ASSEMBLY  
SIZE: 2-1/2" THROUGH 8"

APPROVED	DATE	REV	STD NO
<i>R. [Signature]</i>	09/05/19	1	17B