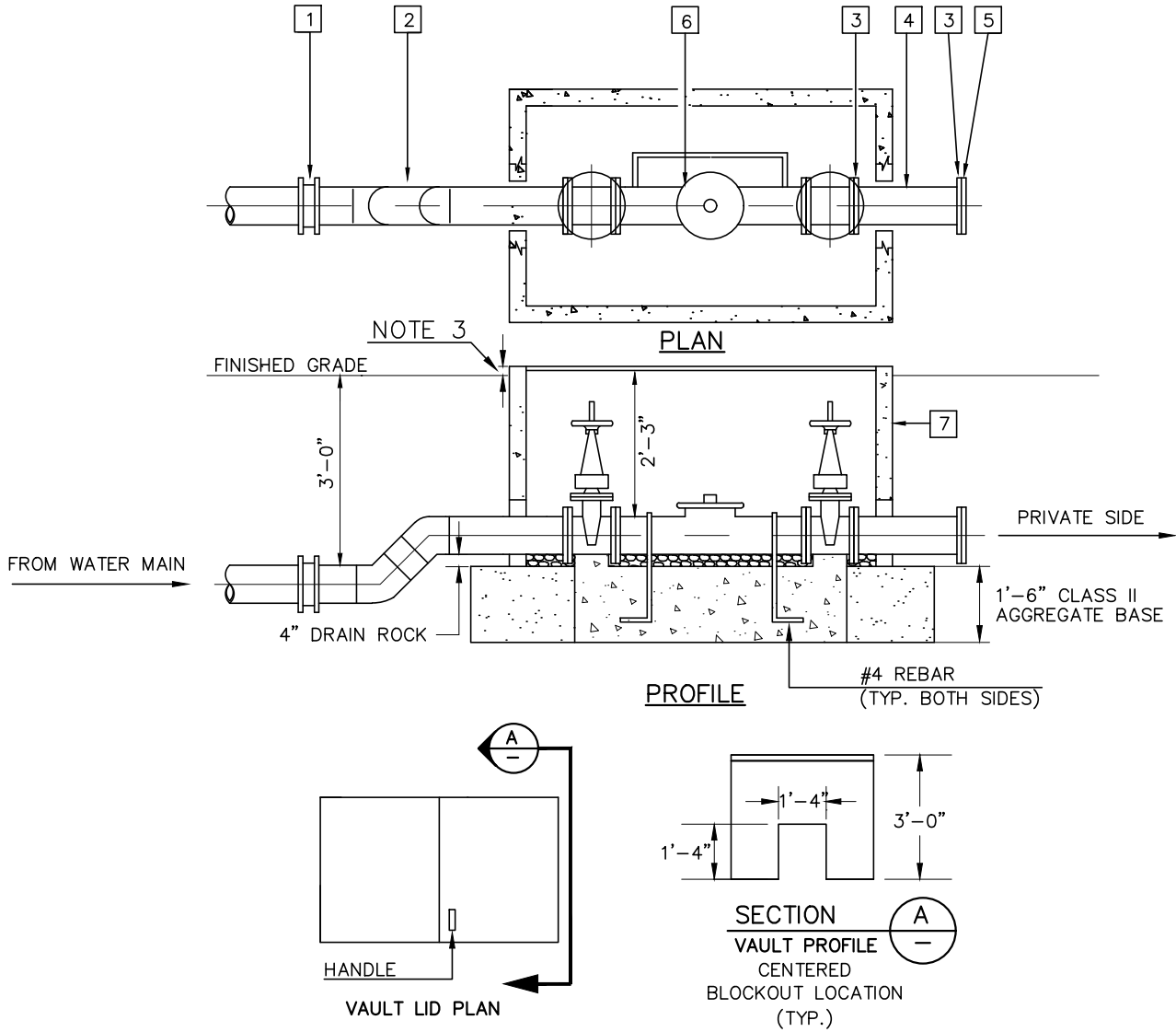



FIRE SERVICE INSTALLATION



PARTS LIST:	SIZE OF FIRE SERVICE				
	2-1/2"	3"	4"	6"	8"
1 TRANSITION COUPLING	USE LATERAL SIZE				
2 STEEL DOG LEG, LENGTH VARIES					
3 SLIP ON WELD FLANGE					
4 STEEL PIPE, LENGTH VARIES					
5 BLIND FLANGE					
6 DCDA WITH OS&Y WHEEL OPERATOR GATE VALVES - WILKINS MODEL NO.	350ASTDA OR EQUAL	350ASTDA OR EQUAL	350ASTDA OR EQUAL	350ASTDA OR EQUAL	350ASTDA OR EQUAL
7 FIRE SERVICE VAULT - CHRISTY MODEL NO. SEE NOTE 2	R17 PIT OR EQUAL	R17 PIT OR EQUAL	R17 P-36 3'x5'x3'	R17 P-36 3'x5'x3'	R37 P-36 4'x7'x3'

NOTES:

- 1) FIRE SERVICE ASSEMBLIES INSTALLED BY NMWD UNLESS NOTED OTHERWISE.
- 2) FOR 2-1/2" TO 6" FIRE SERVICES USE ONE R17 P-36 FOR 8" FIRE SERVICE USE ONE R37 P-36
- 3) ALL VAULT LIDS SHALL BE DIAMOND PLATE ALUMINUM W/SPRING-LOADED HINGES AND SAFETY RAILS.
- 4) INSTALL VAULTS IN SIDEWALK FLUSH WITH SIDEWALK. ALL OTHER VAULTS ARE INSTALLED 1" ABOVE EXISTING GRADE, WITH VICINITY GRADED TO DIRECT DRAINAGE AWAY FROM VAULT.
- 5) ALL DCDAs SHALL INCLUDE TYPE 1 BYPASS (CU FT).



NORTH MARIN WATER DISTRICT

BELOW GRADE FIRE SERVICE
DOUBLE CHECK DETECTOR ASSEMBLY
SIZE: 2-1/2" THRU 8"

APPROVED	DATE	REV	STD NO
<i>[Signature]</i>	09/05/19	2	17

THIS STANDARD REPLACES NMWD STD-A-22