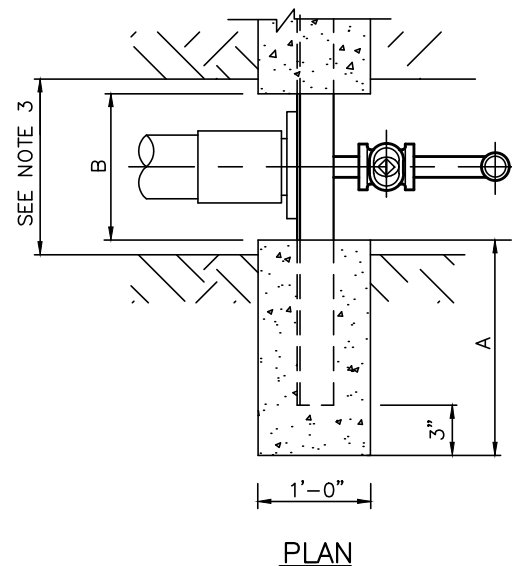


NOTES:

- 1) FOR VALVE RISER REFER TO NMWD STD.2
- 2) FOR CONCRETE THRUST BLOCKING REFER TO NMWD STD.3
- 3) FOR TRENCH SECTION REFER TO NMWD STD.1
- 4) SEE TABLE FOR ANGLE OR CHANNEL IRON LENGTH AND CONCRETE RESTRAINT.
- 5) INSTALL HAND TIGHT.
- 6) BEFORE BACKFILLING, PRIME, COAL TAR WRAP BRASS NIPPLES, GATE VALVE AND ANGLE OR CHANNEL IRON, AND FINAL WRAP WITH 2" WIDE 10 MIL TAPE.
- 7) CHANNELS ARE DESIGNATED BY HEIGHT TIMES WEIGHT PER FOOT.
- 8) BACKFILL WITH SAND OR GRAVEL TO THE BOTTOM OF COUPLING IN BLOW-OFF RISER.
- 9) WRAP ALL BRASS W/2" WIDE 10 MIL TAPE.
- 10) ADD BRASS NIPPLES TO EXTEND TO FINISH GRADE AS NEEDED.

CONCRETE BLOCK AND LENGTH FOR ANGLE OR CHANNEL IRON

MAIN PIPE			ANGLE IRON	CHANNEL IRON	LENGTH
	A	B			
4	0'- 9"	0'-10"	L 2 x 2 x 1/4		2'- 4"
6	1'- 4"	1'- 0"	L 3 x 3 x 3/8		3'- 8"
8	1'-10"	1'- 2"	L 3 x 3 x 3/8		4'-10"
10	2'- 3"	1'- 6"	L 4 x 4 x 3/8	C 4 x 5.40	6'- 0"
12	2'- 8"	1'- 8"	L 5 x 5 x 3/8	C 5 x 6.70	7'- 0"
14	3'- 0"	1'-10"	-	C 5 x 9.00	7'-10"
16	3'- 5"	2'- 0"	-	C 6 x 10.50	8'-10"
18	3'- 9"	2'- 2"	-	C 7 x 12.25	9'- 8"




PARTS LIST

1	2"x6" LONG NIPPLE (BRASS)
2	2"x36" LONG NIPPLE (BRASS)
3	2" GATE VALVE C.I.
4	2" 90° ELBOW (BRASS)
5	2"x24" PIPE, BRASS
6	2" COUPLING SxT (BRASS)
7	2" PLUG THREADED (PVC)



**2" BLOW-OFF ASSEMBLY
(FOR 10" MAINS OR SMALLER)**

APPROVED	DATE	REV	STD NO
	7\19\02	1	6

THIS STANDARD REPLACES NMWD STD-A-7