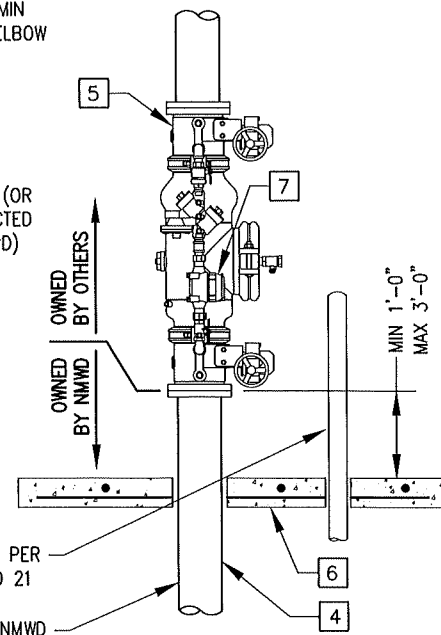
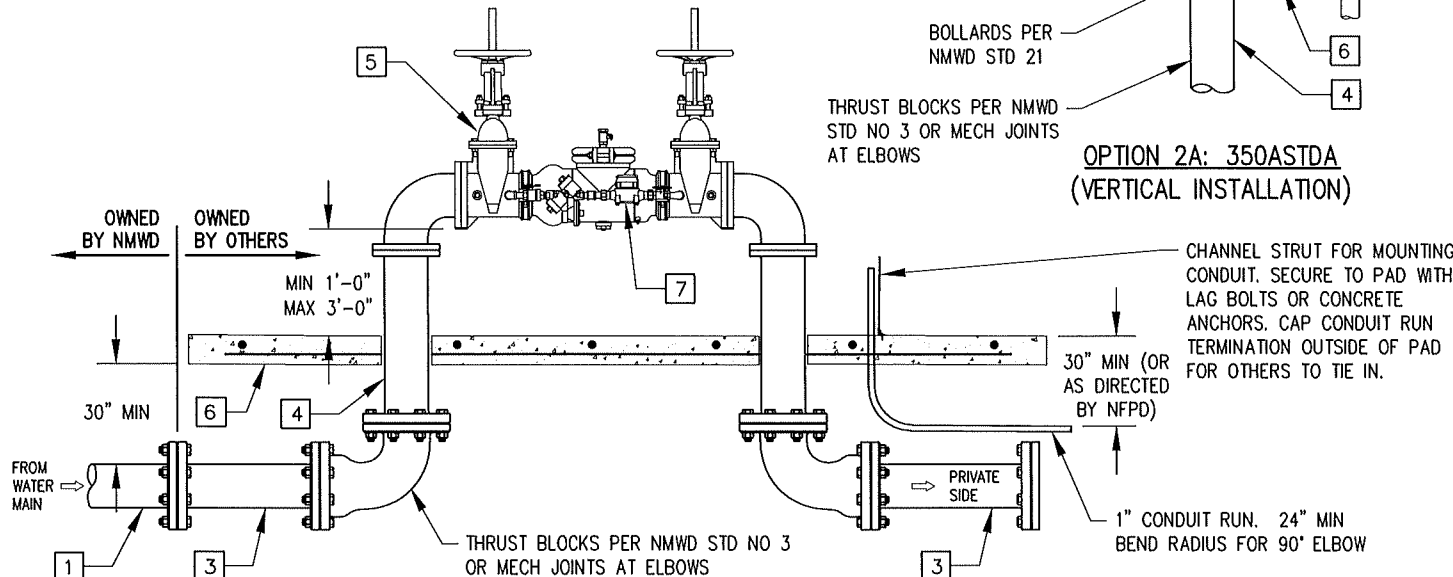


**OPTION 1: 450STDA (PREFERRED)**



**OPTION 2A: 350ASTDA (VERTICAL INSTALLATION)**



**OPTION 2B: 350ASTDA (HORIZONTAL INSTALLATION)**

PARTS LIST:		SIZE OF FIRE SERVICE				
		2-1/2"	3"	4"	6"	8"
1	TRANSITION COUPLING/ FLANGED COUPLING ADAPTER	USE LATERAL SIZE				
2	SETTER, THRUST BLOCKS, OR MECH JOINTS ACCEPTABLE	APOLLO OR WILKINS				
3	DUCTILE IRON OR STAINLESS STEEL SPOOL (24" LENGTH MIN) PAST EXTENT OF CONCRETE					
4	DUCTILE IRON OR STAINLESS STEEL SPOOL TO MEET HEIGHT REQUIREMENTS (PAINTED OR WRAPPED)	USE LATERAL SIZE				
5	DCDA WITH OS&Y WHEEL OPERATOR OR BUTTERFLY VALVE WITH POSITION INDICATOR (AND GATE VALVES)	WILKINS 350ASTDA	WILKINS 350ASTDA	WILKINS 350ASTDA OR 450STDA	WILKINS 350ASTDA OR 450STDA	WILKINS 350ASTDA OR 450STDA
6	CONCRETE PAD PER NMWD STD SPEC SECTION 03300 (4" MIN THICKNESS)					
7	5/8" AMI METER WITH ABOVE GRADE ANTENNA MOUNT					

**NOTES:**

- TO THE EXTENT POSSIBLE ALL NEW DCDA's WILL BE ABOVE GRADE AND INCLUDE TAMPER SWITCHES. TAMPER SWITCHES INSTALLED BY OTHERS.
- DCDA WILL BE OWNED, MAINTAINED AND TESTED BY THE OWNER PER NMWD REGULATION 6.
- ALL ABOVE GRADE PIPE MUST BE VERTICAL AND PARALLEL.
- ALL DCDA'S SHALL INCLUDE TYPE 1 BYPASS (GALLONS, AMI) WITH ANTENNA MOUNT.
- WILKINS 350ASTDA CAN BE USED INLINE OR FOR LONGER LAY LENGTHS UPON DISTRICT APPROVAL.
- WILKINS 475STDA OR 375ASTDA CAN BE USED IF RPDA IS REQUIRED BASED ON DISTRICT APPROVAL.
- MINIMUM 1'-0" HORIZONTAL SETBACK (ALL SIDES).

NORTH MARIN WATER DISTRICT NOVATO, CALIFORNIA			
FIRE SERVICE ABOVE GRADE DOUBLE CHECK DETECTOR ASSEMBLY SIZE: 2-1/2" THROUGH 8"			
APPROVED	DATE	REV.	STD. NO.
	03/24/22	2	17B