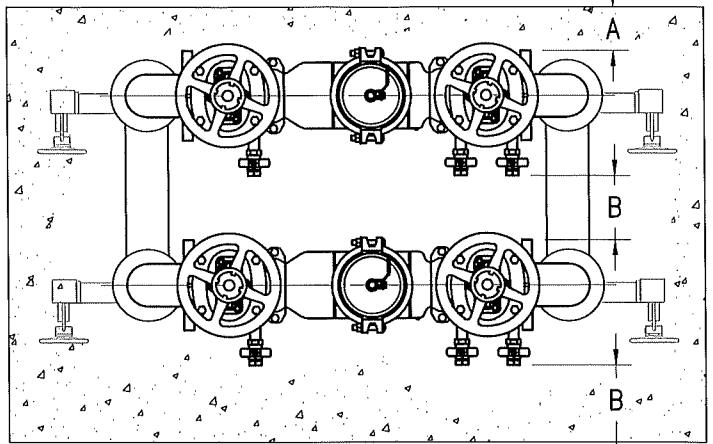
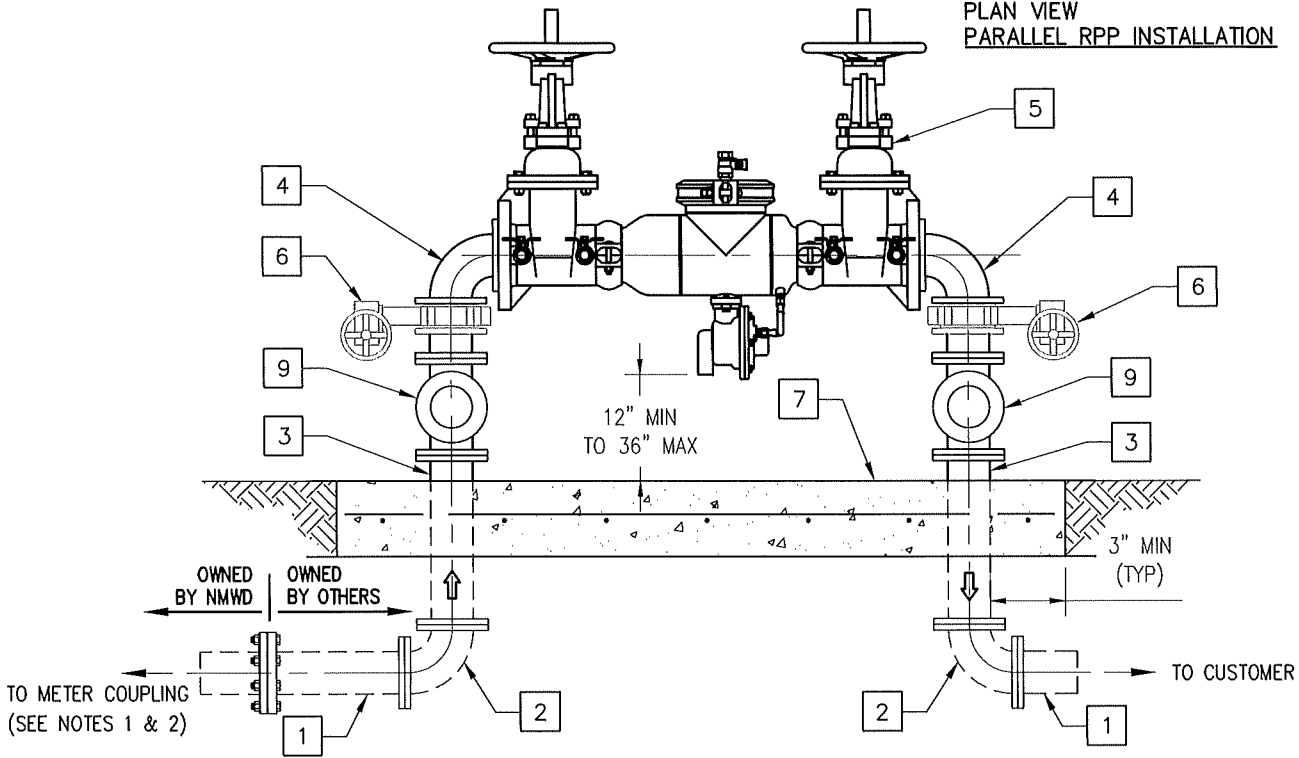


PLAN VIEW  
SINGLE RPP INSTALLATION



PLAN VIEW  
PARALLEL RPP INSTALLATION



ITEM:	PARTS LIST:	SIZE OF SERVICE (SINGLE RP)			
		2.5"	4"	6"	8"
1	FCA	USE LATERAL SIZE			
2	90° ELBOW				
3	PIPE, FIELD FIT, 10 ML TAPE AROUND PIPE IN CONTACT WITH CONCRETE	USE LATERAL SIZE			
4	90° ELBOW				
5	REDUCED PRESSURE PRINCIPLE ASSEMBLY	2.5" WILKINS 375AST OR 475ST	4" WILKINS 375AST OR 475ST "N PATTERN"	6" WILKINS 375AST OR 475ST "N PATTERN"	8" WILKINS 375AST OR 475ST "N PATTERN"
6	OPTIONAL VALVE FOR UNINTERRUPTED SERVICE (PARALLEL SERVICE OPTION)	USE LATERAL SIZE			
7	CONC SLAB, 4" THICK, 24"x24" AREA MINIMUM (FIELD FIT) PER NMWD STD SPEC SECTION 03300 ENCLOSURE (CAGE OR INSULATION BLANKET RECOMMENDED)				
8	PIPE SUPPORTS AS NEEDED				
9	TEE FOR PARALLEL SERVICE				

**NOTES:**

- CONSULT WITH DISTRICT FOR PARALLEL SERVICE DESIGN BASED ON CUSTOMER NEED.
- NO OUTLET, TAP TEE OR ANY OTHER TYPE OF CONNECTION WILL BE ALLOWED BETWEEN THE METER AND THE BACKFLOW ASSEMBLY. THE BACKFLOW ASSEMBLY SHOULD BE INSTALLED AS CLOSE AS POSSIBLE TO THE METER. INSPECTION BY THE DISTRICT SHALL TAKE PLACE PRIOR TO ANY BACKFILL.
- CLEARANCE REQUIREMENTS FOR TESTING A=12", B=24".
- TEE FOR PARALLEL SERVICE WILL BE INSTALLED ABOVE GRADE.

NORTH MARIN WATER DISTRICT NOVATO, CALIFORNIA			
ABOVE GRADE REDUCED PRESSURE PRINCIPAL BACKFLOW PREVENTER 2" THROUGH 8"			
APPROVED	DATE	REV.	STD. NO.
	03/24/22	1	19B