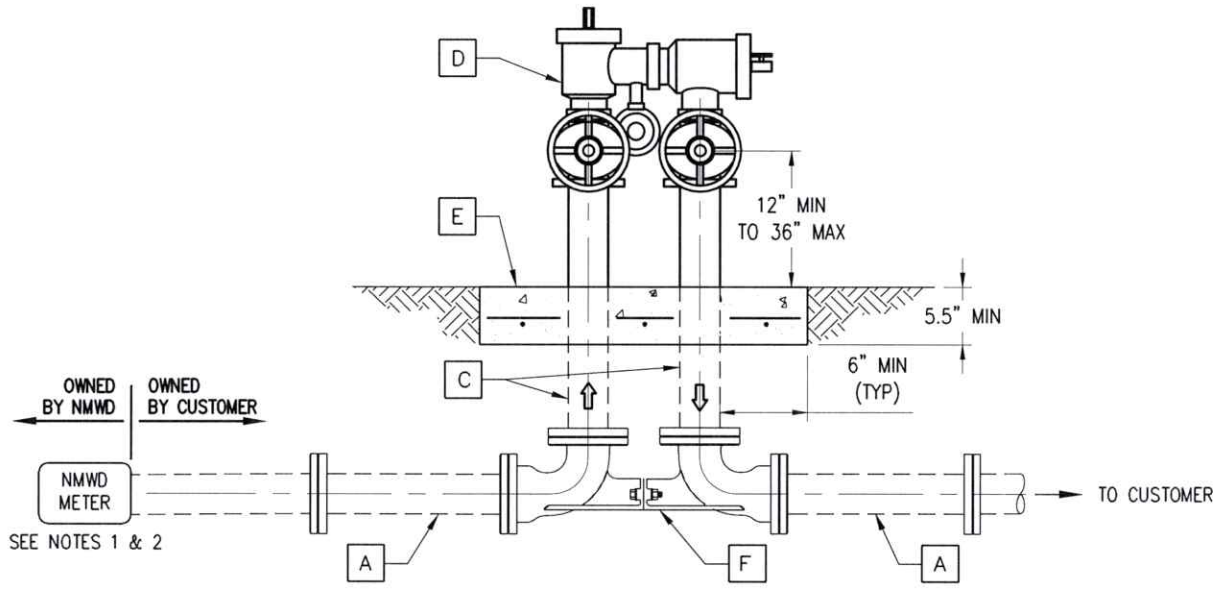


WILKINS 375AST



WILKINS 475ST

**NOTES:**

1. REFER TO SPECIFICATION SECTION 15112 FOR BACKFLOW REQUIREMENTS.
2. NO OUTLET, TAP, TEE OR ANY OTHER TYPE OF CONNECTIONS WILL BE ALLOWED BETWEEN THE METER AND THE ASSEMBLY.
3. THE ASSEMBLY SHALL BE INSTALLED AS CLOSE TO THE METER AS POSSIBLE.
4. INSPECTION BY THE DISTRICT SHALL TAKE PLACE PRIOR TO ANY BACKFLOW.
5. ASSEMBLY SHALL BE ACCESSIBLE TO THE DISTRICT FOR TESTING.
6. ALL ABOVE GROUND MATERIAL SHALL BE BRASS OR TYPE K COPPER.
7. ALL INSTALLS SHALL BE LEVEL, PLUMB AND TRUE.
8. CONCRETE PAD SHALL BE A MINIMUM WIDTH OF THE METER BOX. ASSEMBLY SHALL BE CENTERED ON CONCRETE PAD.
9. ENCLOSURE CAGE OR INSULATION BLANKET IS OPTIONAL.
10. ALL ASSEMBLIES WILL BE OWNED FROM CUSTOMER SIDE OF THE METER AS SHOWN.
11. IF PARALLEL ASSEMBLIES ARE REQUIRED, CONSULT WITH DISTRICT ON DESIGN DETAILS.

ITEM	DESCRIPTION	QUANTITY	
		375AST	475ST
A	SPOOL - FIELD FIT	2	2
B	90° ELBOW	4	0
C	SPOOL - FIELD FIT	2	2
D	REDUCED PRESSURE PRINCIPLE ASSEMBLY	1	1
E	CONCRETE SLAB PER NMWD SPEC 03300	1	1
F	SETTER	0	1

NOT TO SCALE

NORTH MARIN WATER DISTRICT  
NOVATO, CALIFORNIA

**ABOVE GRADE REDUCED PRESSURE PRINCIPAL  
BACKFLOW PREVENTION ASSEMBLY  
2.5" THROUGH 8"**

APPROVED	DATE	REV.	STD. NO.
<i>E. J. ...</i>	02/02/23	1	19C

THIS STANDARD WAS PREVIOUSLY NMWD STANDARD 19B

Mar 09, 2023 1:54pm W:\JOB\MISC\STD\19C.dwg User: SDOVE